

## Weatherproof Cover Plastic BS type IP55

IP55 : Protection for water flow & spray and dust diameter  $\varnothing$  1mm.



**WBG8981**

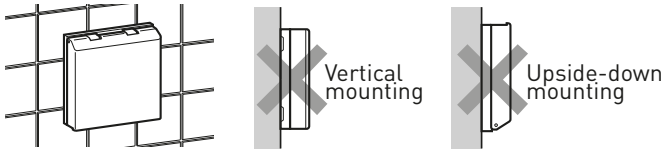
1-Gang Weather Proof Cover Plastic  
BS-Type

**WBG8982**

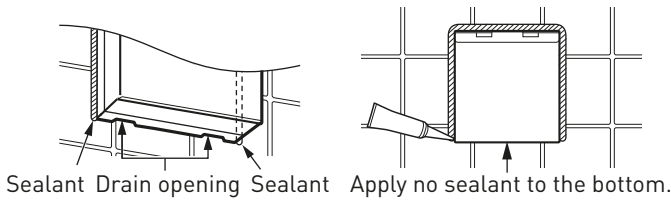
2-Gang Weather Proof Cover Plastic  
BS-Type

## Installation Instructions

- Make sure to install the cover plate in the correct orientation. Choose a mounting surface that is flat, without protrusions or indentations. If the cover plate is installed incorrectly, water, etc., may leak inside and could cause electrical shock, scorching damage, or fire.



- The bottom of the cover plate has a drain opening to allow water, etc., to drain out. Do not plug it with sealant or other material. Otherwise, scorching damage or fire cloud result.



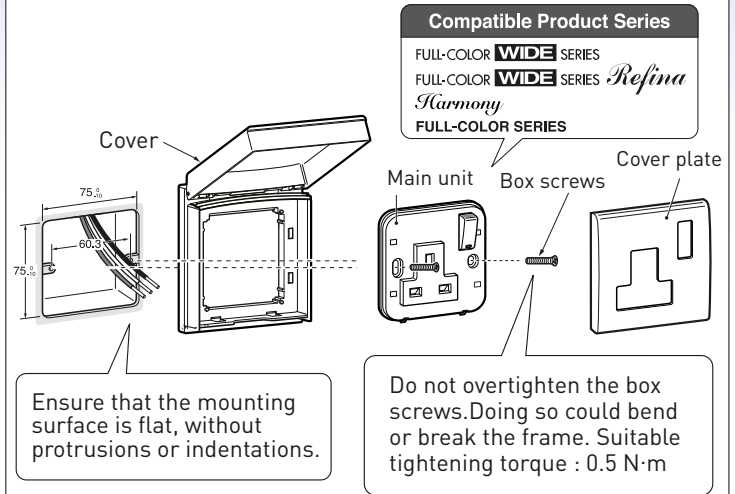
- Make sure to close the cover after installation.
- Apply sealant between the packing and wall surface as shown to improve waterproofing.

### Place for use

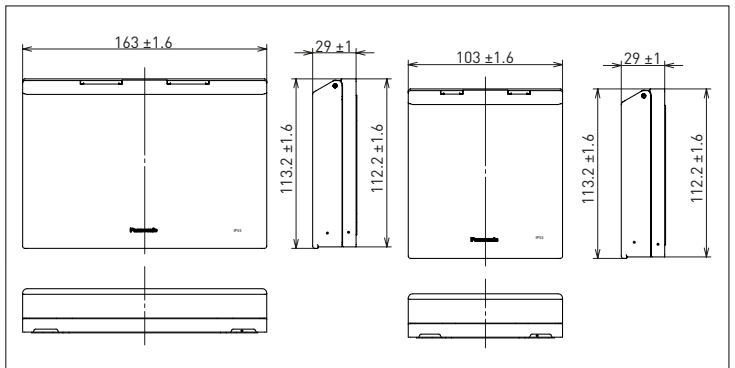
- Indoor of residences, offices.
- On the outside walls of building, or outdoors.
- Ambient temperature range  $-10^{\circ}\text{C}$  to  $40^{\circ}\text{C}$ .

## Installation Method

The example below uses the WEB1111WK



## Dimensions



### Notes for use

- Close the cover when not used. Water entering inside the plate may lead breakdown.
- Lower the cover as much as possible when in use. Make sure to close the cover after use.

Please contact...

### Panasonic Marketing Middle East & Africa FZE Eco Solutions Division

- PO Box 17985, Jebel Ali, Dubai, UAE
- Telephone: +971-4-886-2142 ■ Facsimile: +971-4-880-7054
- website : <http://panasonic.ae/ecm> ■ Email : [customer@ae.panasonic.com](mailto:customer@ae.panasonic.com)

[ FACTORY ]

Panasonic Manufacturing Ayuthaya Co., Ltd.  
Panasonic Corporation Eco Solutions Company

**Panasonic**<sup>®</sup>